

Rosewood Plaza

Retail/ Office Space for Lease

5578 N. Orange Blossom Trail,
Orlando, FL 32810



Property Details:

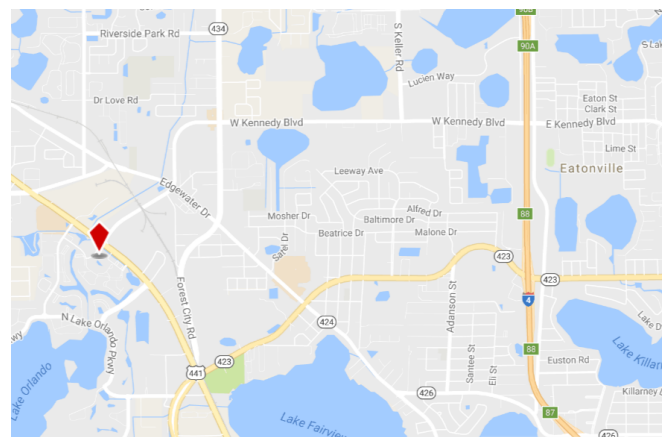
Total Space Available	1,240 SF
Rental Rate	\$8-9 SF/ Yr/ NNN
Min. Divisible	1,240 SF
Max. Contiguous	1,240 SF
Property Type	Retail
Property Sub-type	Retail /Church/ Office
Building Size	28,265 SF

Spaces:

Suite	Space Available	Min Divisible	Max Contiguous	Price	Date Available	Description
5578	1,240 SF	1,240 SF	1,240 SF	\$8-9/ SF/ Yr/ NNN	November 2020	Retail

Location Description:

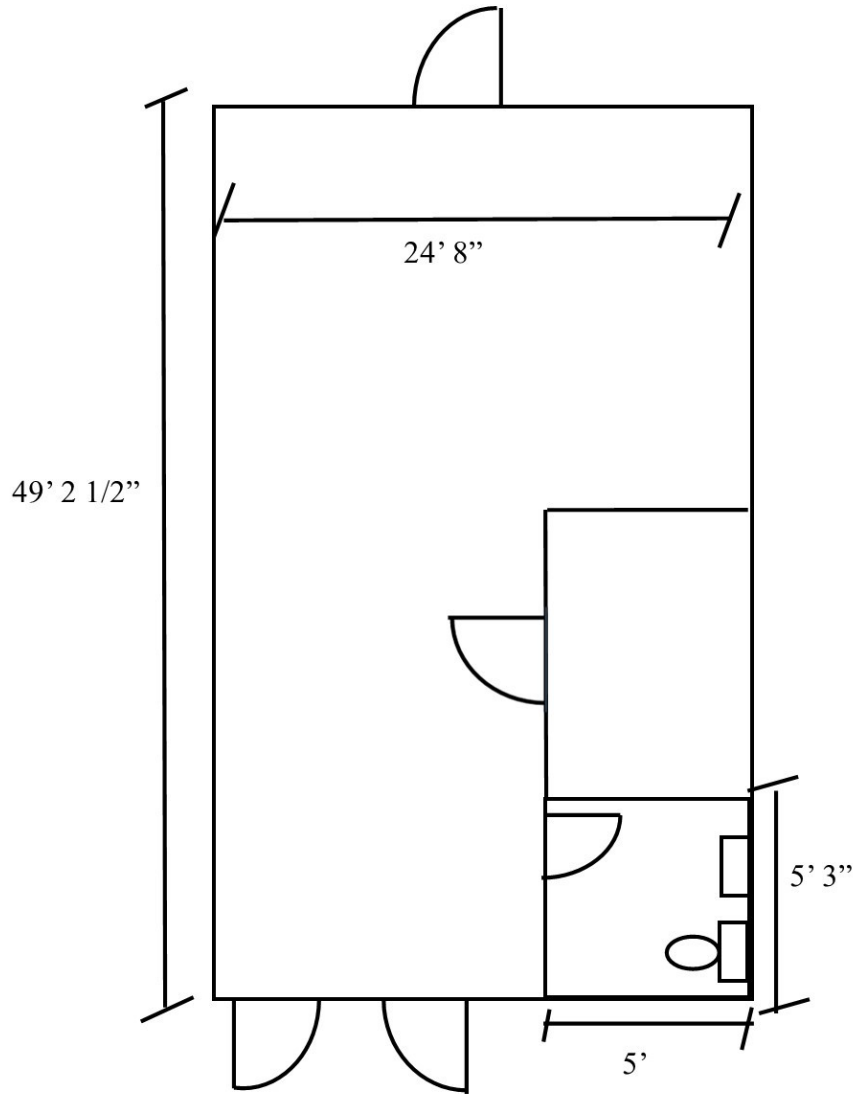
- Single story building
- Quick Access to I-4 and downtown
- Pylon signage available
- 24 hour traffic count: 30,500 vehicles
- Ample and convenient parking
- Restaurants and shopping nearby
- AC-1/W Zoning
- Retail and Office



Commercial Sales & Leasing | Property Management | Project Development | Acquisitions & Dispositions | Construction Services

Southeastern Realty Group, Inc. - 933 Lee Road Suite 400 - Orlando, FL 32810 - t: 407-629-5595 - f: 407-645-2035

5578 N. Orange Blossom Trl.
1,240 SF



Southeastern Realty Group
933 Lee Road, Suite 400, Orlando, Florida 32810
407-629-5595 phone, 407-645-2035 fax
Visit our website at www.southeasternrealty.com

The information contained herein is from sources deemed reliable, but no warranty or representation is made as to the accuracy thereof and no liability may be imposed.